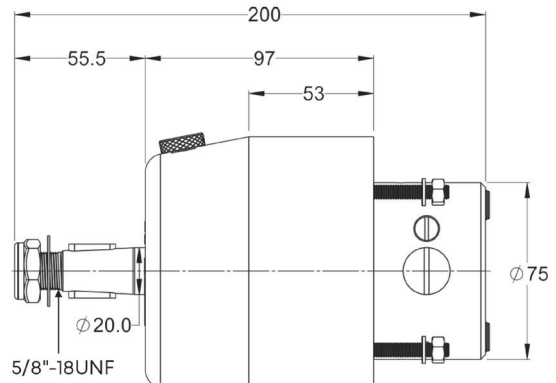
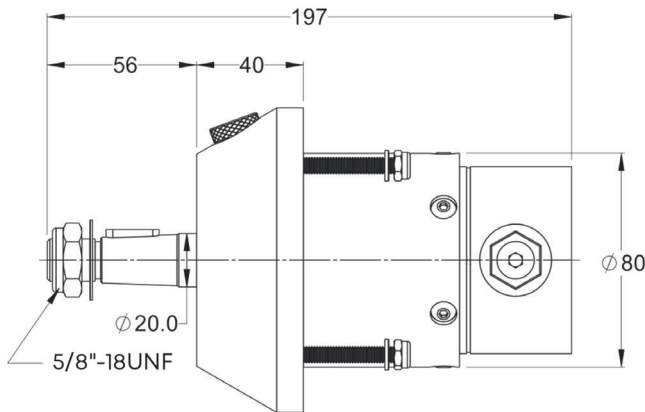


# FACT SHEET

## Hydraulic Steering - Front Mount Helm Pumps



Model No.	Volume		Port Threads (UNEF)	Relief Pressure (Bar)	Recommended Steering Wheel Diameter	Weight
	CC	Ci				
HP-16	16	0.9	9/16-24	50	280 mm	2.3
HP-20	20	1.2	9/16-24	70	350 mm	4.2
HP-23	23	1.4	9/16-24	70	350 mm	4.2
HP-27	27	1.7	9/16-24	70	400 mm	4.2
HP-33	33	2.0	9/16-24	70	400 mm	4.2
HP-40	40	2.4	9/16-24	70	400 mm	4.2

### Key Features

- Available in six different sizes with fixed displacement
- Ball bearing piston race
- Built-in Lock Valve to safeguard feedback from the rudder
- Integral Relief Valve to protect the steering system from excess pressure
- 3/4" standard tapered shaft
- Easily accessible Lock Valve Seals and Shaft Seal for replacement
- All Helms include a pair of 90° adjustable chrome plated brass elbow fittings to connect to 5/16" hose tube
- Mounting hardware and template are provided with helms
- Helm mounting is designed in such a way that it is easily interchangeable with other brands